



# MAXIMO® M

Standard seat with  
mechanical suspension



**CAPITAL**seating

[www.capitalseating.co.uk](http://www.capitalseating.co.uk)

tel: +44 (0)116 216 9910 | email: [grammer@capitalseating.co.uk](mailto:grammer@capitalseating.co.uk)



**GRAMMER**

# TECHNICAL DATA

## MAXIMO® M

In order for a seat with mechanical suspension to deliver good comfort, it must be possible to adjust it to the user's weight. Here this is done using a convenient setting lever. The adjustment features of the Maximo M set new standards among mechanical-suspension seats. The seat height can also be varied in three steps, thanks to a mechanism with positive stops.



Mechanical Suspension



Mechanical Lumbar Support



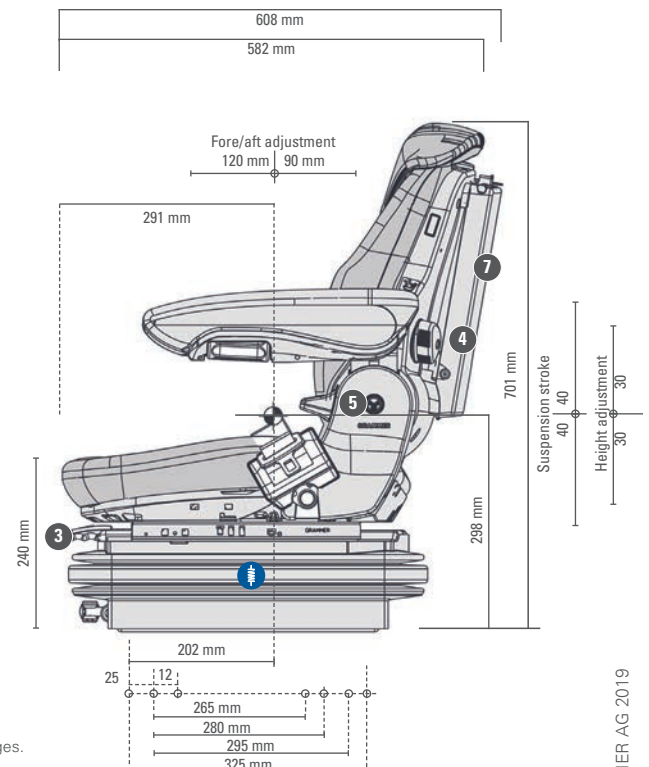
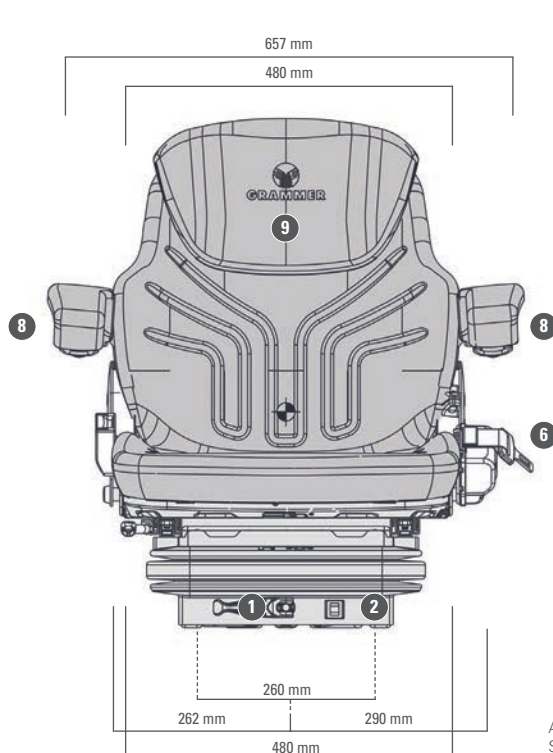
Mechanical Weight Adjustment

### Features ● Standard ○ Optional

	MAXIMO® M
Article no. fabric	1292206
Article no. imitation leather	1012109
Shock absorber nonadjustable	●
Suspension	
Mechanical	●
Suspension stroke 80 mm	●
① Weight adjustment 50 - 130 kg, mechanical	●
② Height adjustment 60 mm 3-step (mechanical)	●
③ Fore/aft adjustment 210 mm	●
④ Lumbar support mechanical	●
⑤ Adjustable backrest angle	●

	MAXIMO® M
⑥ Restraint system	●
Seat cushion width	480 mm
Operator presence switch (OPS)	●
OPTIONAL FEATURES	
⑦ Document box	○
⑧ Armrests foldable	
65 x 270 mm, height adjustable	○
80 x 320 mm, height adjustable, foldable	○
80 x 380 mm, height adjustable, foldable	○
⑨ Backrest extension	○
Seat heating	○

### Measurements (installation dimensions)



All dimensions in mm.  
Subject to technical changes.